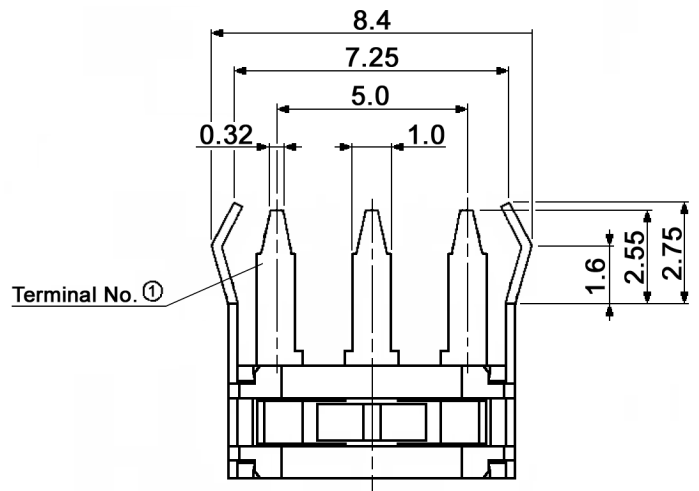
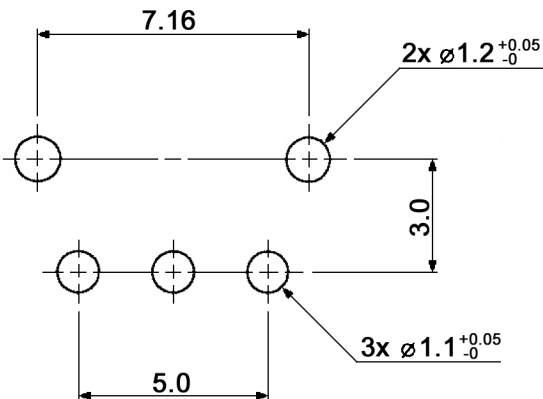


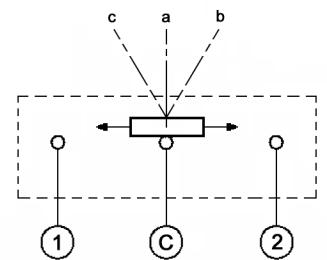
**P.C.B. MOUNTING
HOLE DIMENSIONS t=1.2mm**



Specifications:

- Contact rating: 10mA, 5V
- Contact resistance: 500mOhm max.
- Insulation resistance: 100MOhm min. at 100V DC for 1 minute
- Dielectric strength: 100V AC (50/60Hz) for 1 minute
- Operating temperature: -40°C to +100°C
- Mechanical life: 3 000 000 cycles
- Operating force: 35gf max.
- Soldering conditions: 260 +/-5°C, 10 +/-1sec.
- Material: Contact plate: C5210R-EH, silver plated
Slider: PA46, black
Base: PA46, black
Frame: SPTE, tin plated
Terminal: C5191R-EH, silver plated

CIRCUIT DIAGRAM



Compliance: RohS II (2011/65/EU)

Tolerances: up to 10: ±0.20mm above 10-50: ±0.30mm		Date	Name
		07/13	dr
Revised	06/16	dr	
Operating temperature	06/16	dr	
Operating temperature	06/15	dr	
Rename	06/15	dr	
Modifications	Date	Name	

DT 316 C-R

knitter-switch

30 28 82

Page

1/1